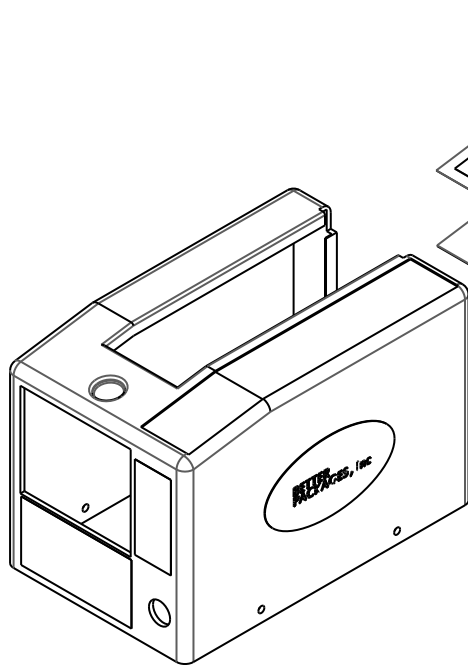


PS2A ITEM LIST



Better Packages, Inc.®

Shelton, CT 06484



* KEYBOARD OVERLAY

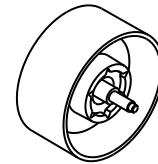
SERIAL #	PART #
1 - 1999	PS2A-102
2000 & ABOVE	PS2A-104-CE

* KEYBOARD-LOWER BOARD

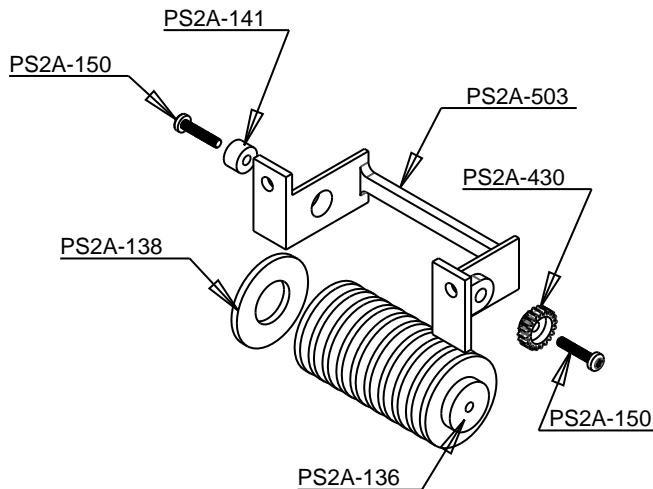
SERIAL #	PART #
1 - 1999	PS2A-103
2000 & ABOVE	PS2A-103-CE

ITEM 1 - COVER ASSY W/ KEYBOARD

SERIAL #	PART #
1 - 1999	PS2A-109-A
2000 & ABOVE	PS2A-109-CE



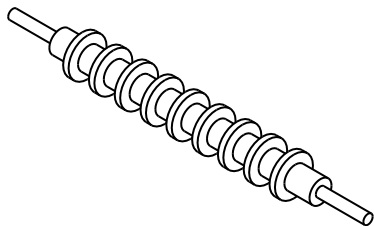
**ITEM 2 - REEL UNIT
PS2A-107**



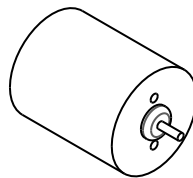
**ITEM 3 - ASSY, SEPARATING ROLLER HOLDER
PS2A-533 - ONLY SOLD AS COMPLETE ASSEMBLY**



**ITEM 4 - PRESS ROLLER COLLAR
PS2A-155**



**ITEM 5 - PRESS ROLLER
PS2A-154**



**ITEM 6 - FEED MOTOR
PS2A-435**



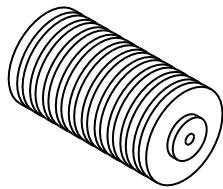
**ITEM 7 - PINION GEAR UNIT 2
PS2A-528**

PS2A ITEM LIST

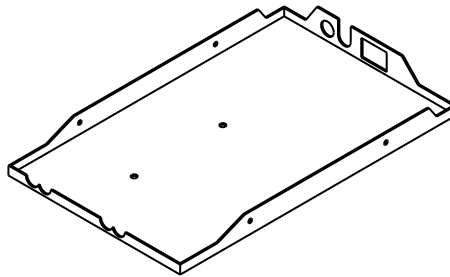


Shelton, CT 06484

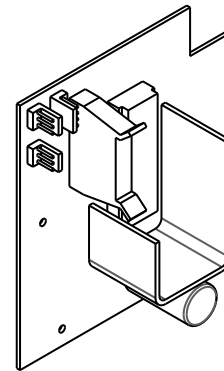
* CE version PS2A uses parts not compatible with previous version. Select part number based on serial number printed on product ID label



ITEM 8 - FEED ROLLER 2
PS2A-312

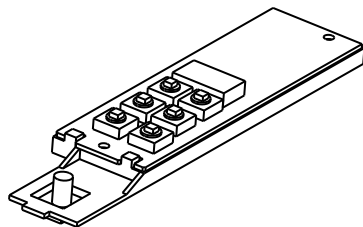


ITEM 9 - BASE PLATE
PS2A-115



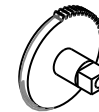
* ITEM 10 - PCB ASSEMBLY

SERIAL #	PART #
1-1999	PS2A-505
2000 & ABOVE	PS2A-505-CE

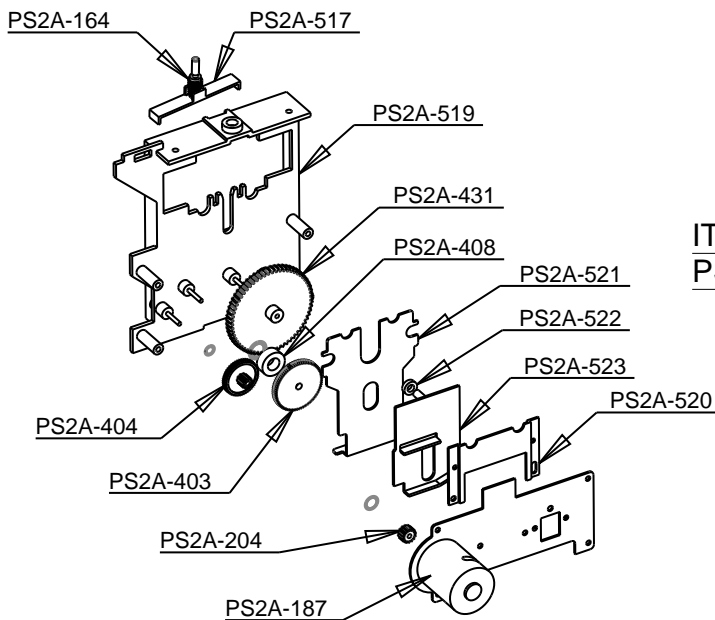


* ITEM 11 - DISPLAY BOARD

SERIAL #	PART #
1-1999	PS2A-506
2000 & ABOVE	PS2A-506-CE



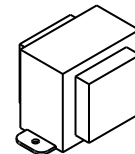
ITEM 12 - FEED ROLLER GEAR 3
PS2A-427



ITEM 13 - ASSY, FRONT HOLDER
PS2A-518 - ONLY SOLD AS COMPLETE ASSEMBLY



ITEM 14 - CONTROL KNOB
PS2A-106



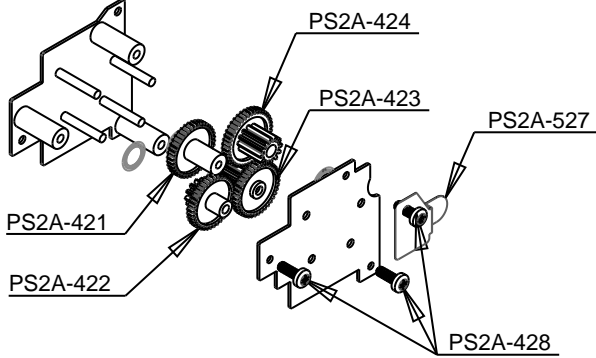
ITEM 15 - TRANSFORMER
PS2A-111 (110v)
PS2A-112 (220v-240v)

* CE version PS2A uses parts not compatible with previous version. Select part number based on serial number printed on product ID label

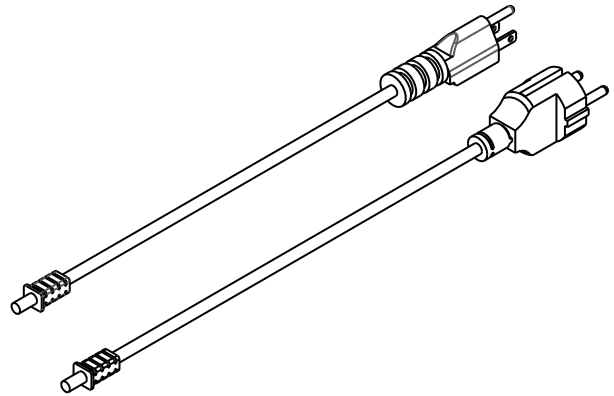


Better Packages, Inc.®

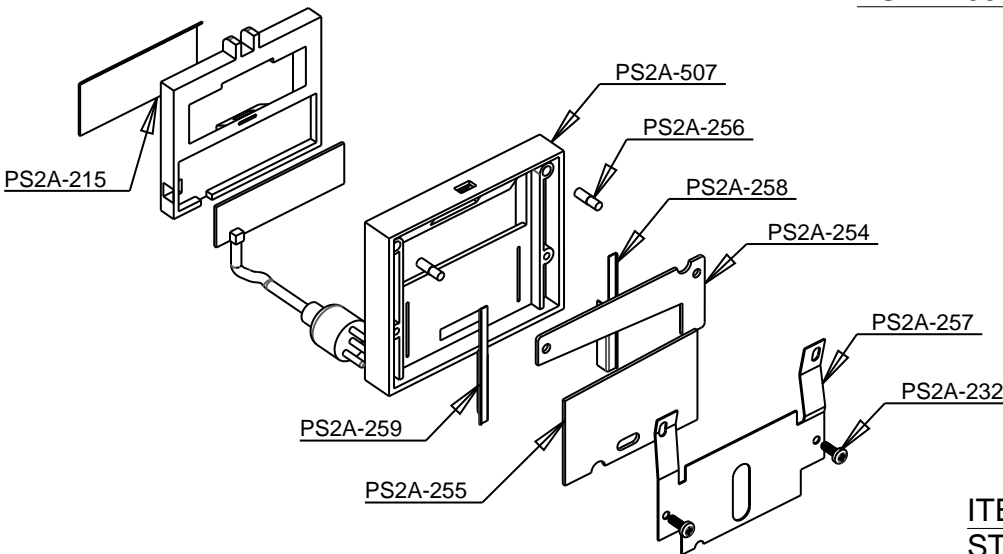
Shelton, CT 06484



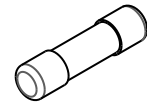
ITEM 16 - GEAR UNIT
PS2A-418 - ONLY SOLD AS COMPLETE ASSEMBLY



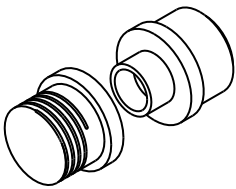
ITEM 17 - POWER CORD WITH PLUG
PS2A-205-US (110v)
PS2A-205-CE (220v-240v)



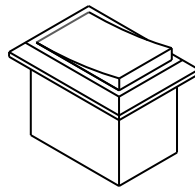
ITEM 18 - AUTO FEED CUTTER UNIT
PS2A-550



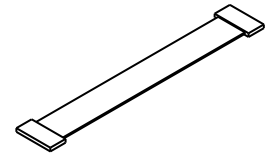
ITEM 19 - FUSE
ST-2938 5x20mm 1.5A (110v)
ST-2943 5x20mm 1A (220v-240v)



ITEM 20 - FUSE HOLDER
PS2A-121

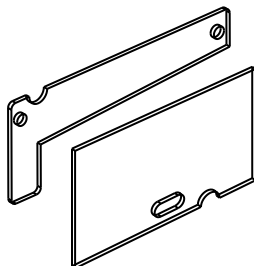


ITEM 21 - POWER SWITCH
PS2A-118



ITEM 22 - DISPLAY BOARD CABLE

SERIAL #	PART #
1-1999	PS2A-509
2000 & ABOVE	PS2A-509-CE



ITEM 23 - BLADE KIT
PS2A-254/5



PS2A ITEM LIST
Better Packages, Inc.®

Shelton, CT 06484